

LiMnix





# Equality through sign language. For 70 million deaf people worldwide.

Over the past 65 years, the World Federation of the Deaf has advocated for the human rights of deaf people everywhere, because deaf people succeed when they use sign language.

[Our Philosophy](#)[Our V](#)

# **Mission**

**Let deaf people be understood**

UWP Text to Speech



Text to Speech

Parla

UWP Text to Speech



Text to Speech

Parla

UWP Text to Speech



Text to Speech

Parla



text



text  
processing



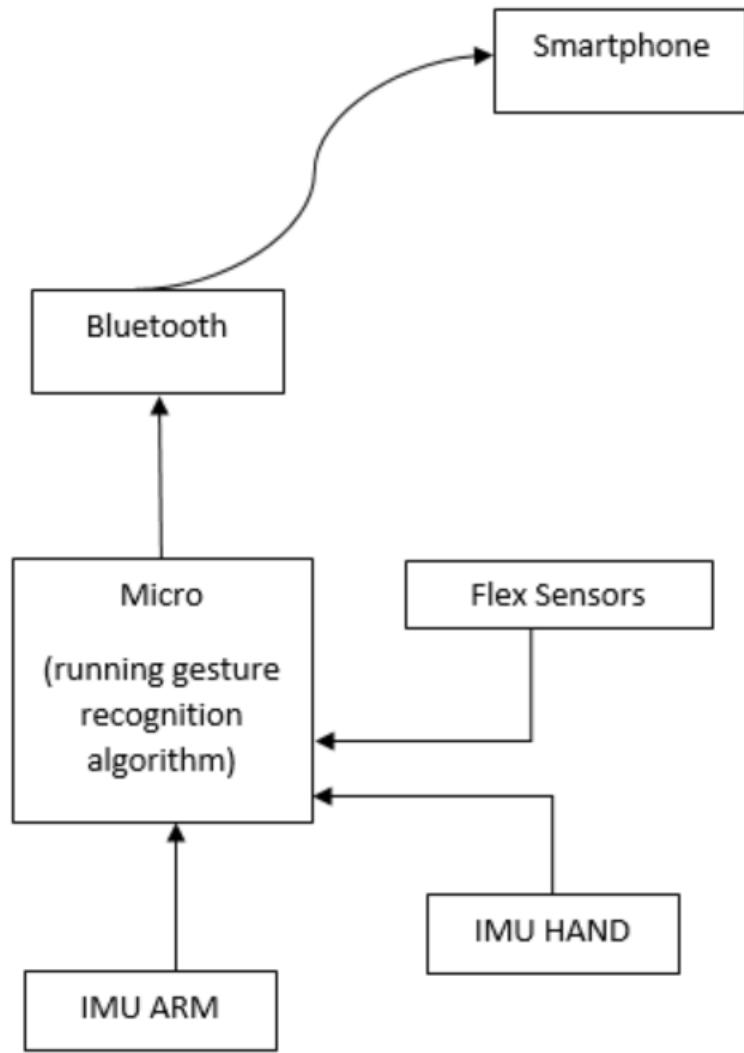
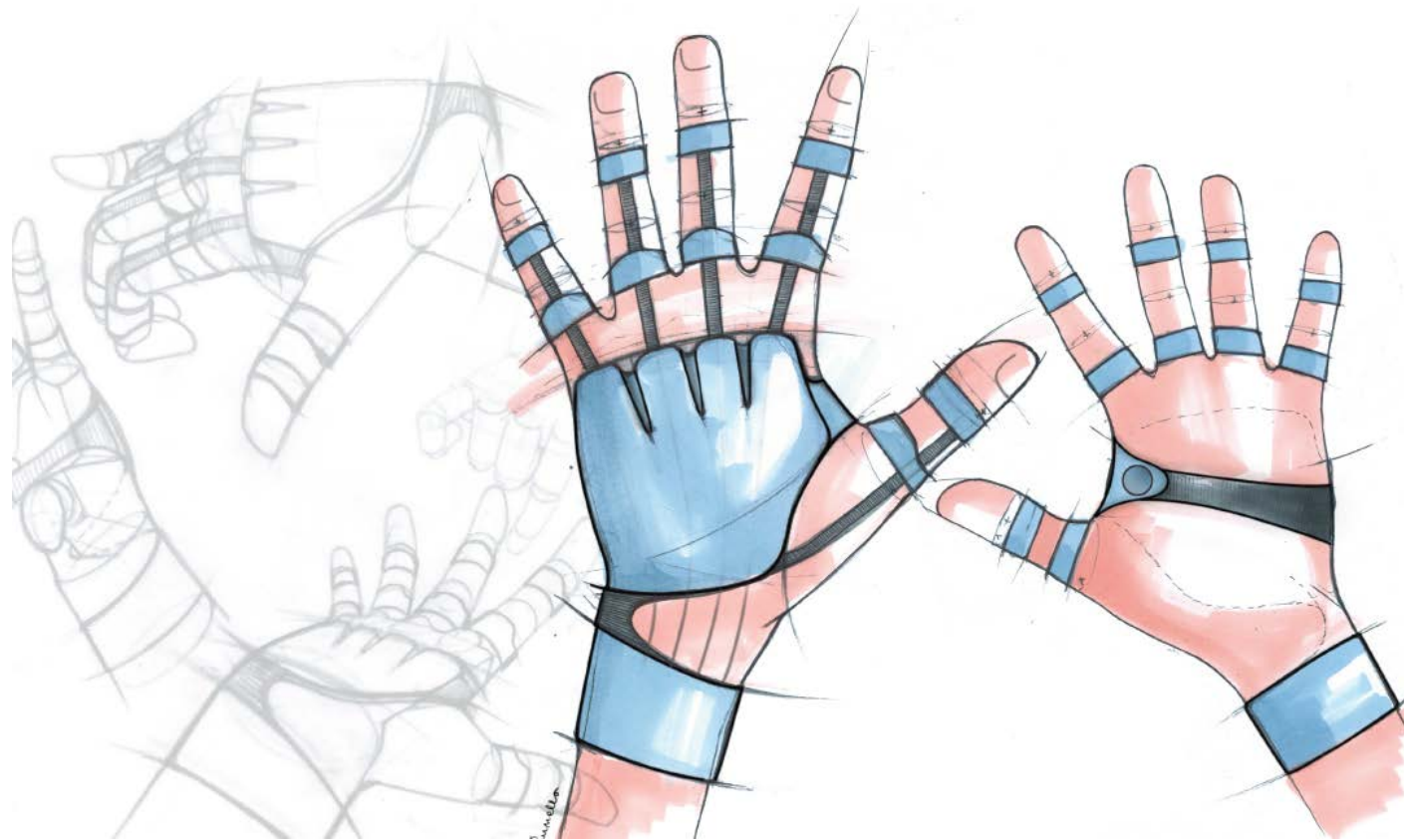
feature  
extraction



lifelike speech  
generation



speech



# Ambient Assistant Living (Home Automation)





